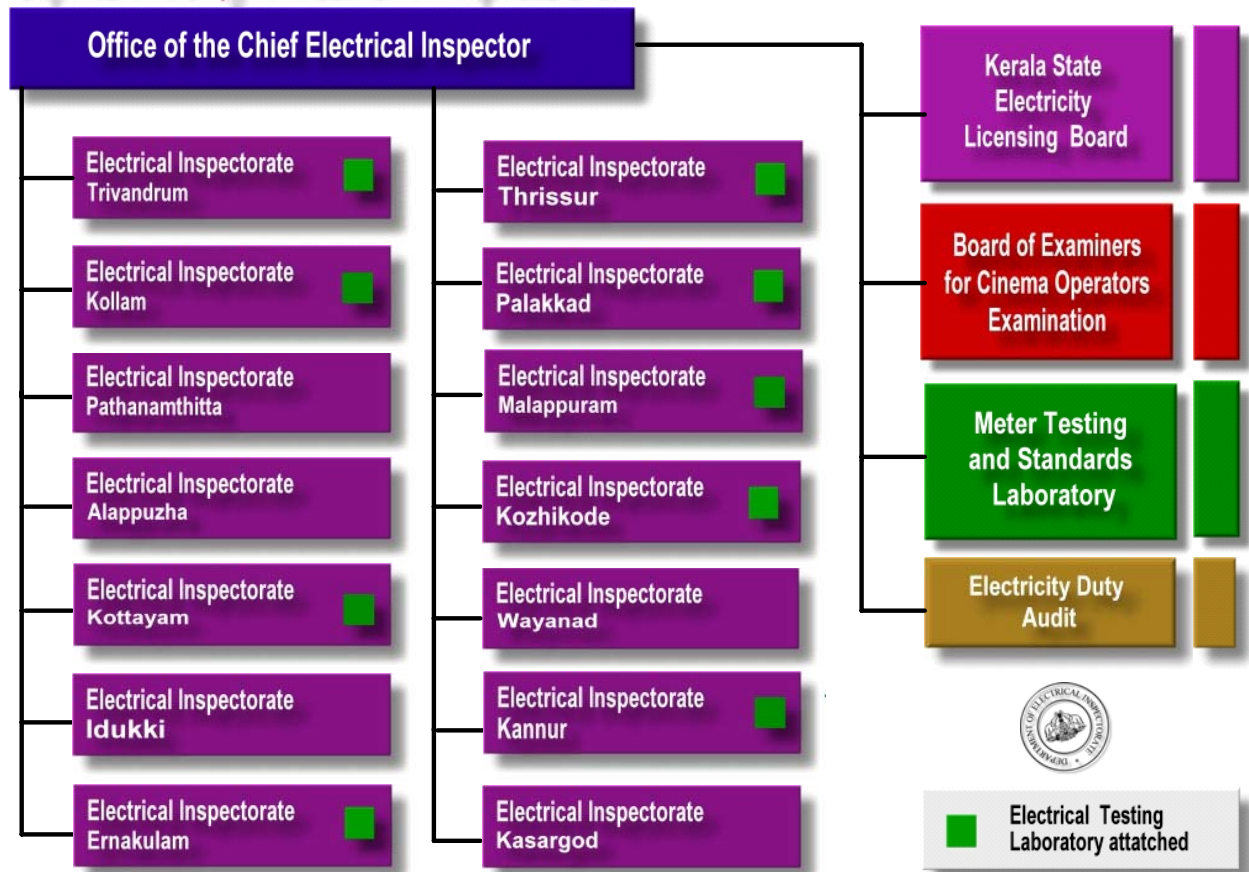
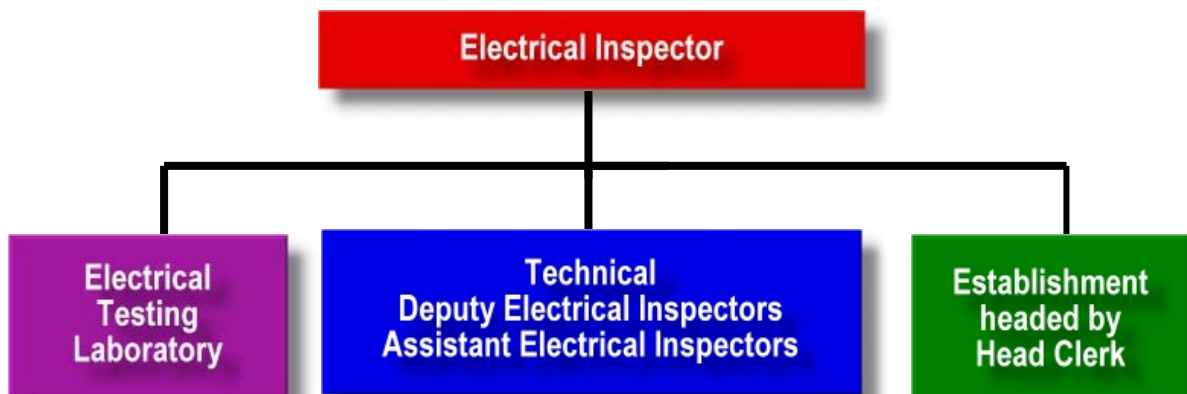


## Department of Electrical Inspectorate



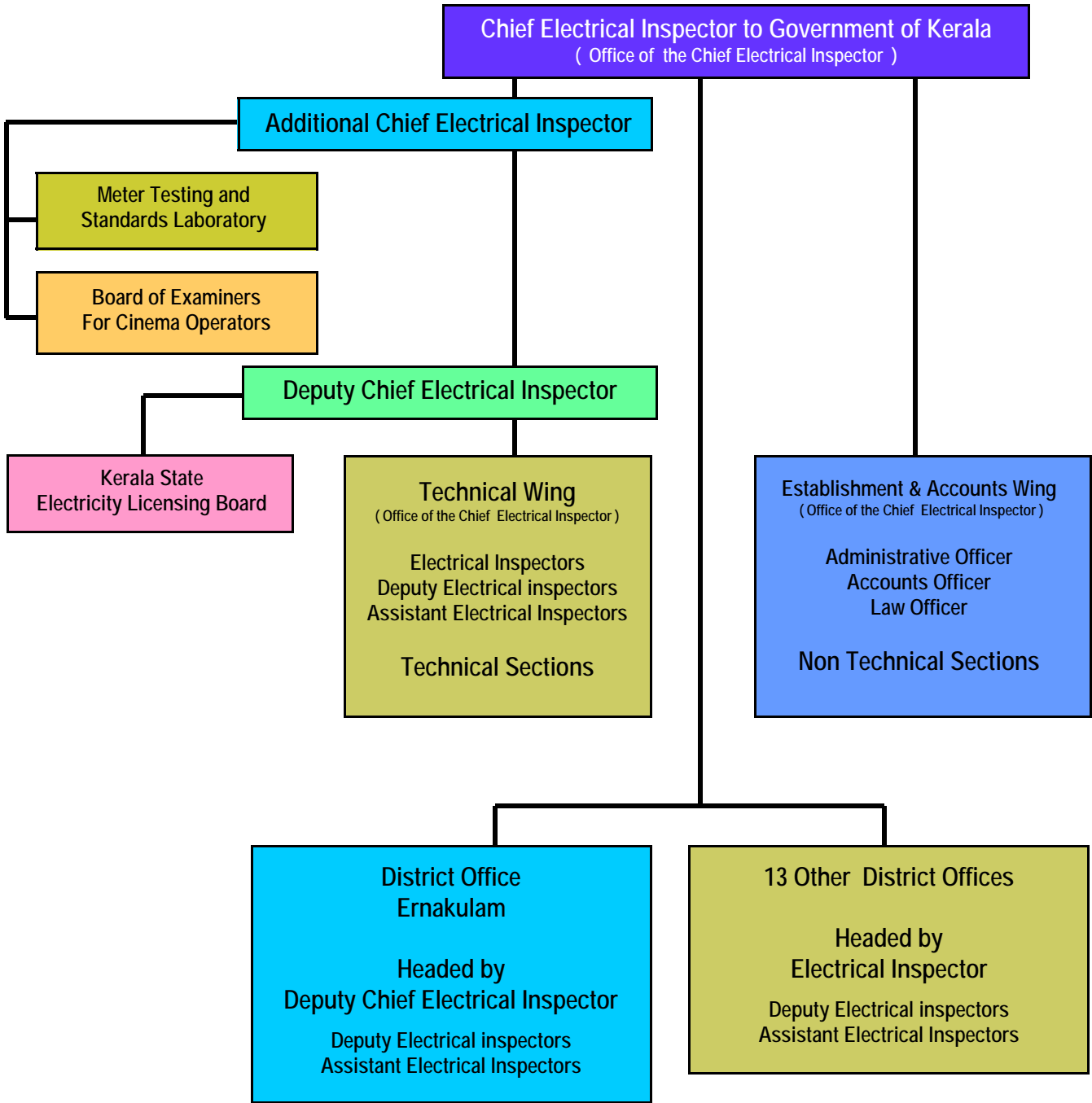
The Department has district offices in all the Districts

Organisation Chart of District Level Office

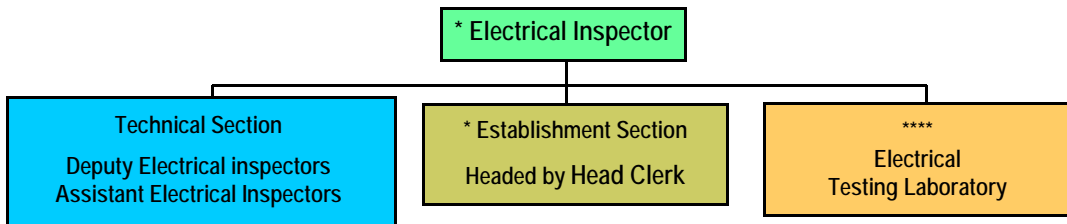


- District Office, Ernakulam is headed by Deputy Chief Electrical Inspector
- Establishment of District office, Ernakulam is headed by Senior Superintendent
- Electrical Testing Laboratories in Thiruvananthapuram, Kollam, Kottayam Ernakulam, Thrissur, Kozhikode Malappuram, Palakkad and Kannur

# Organisation Chart \_ Department of Electrical Inspectorate

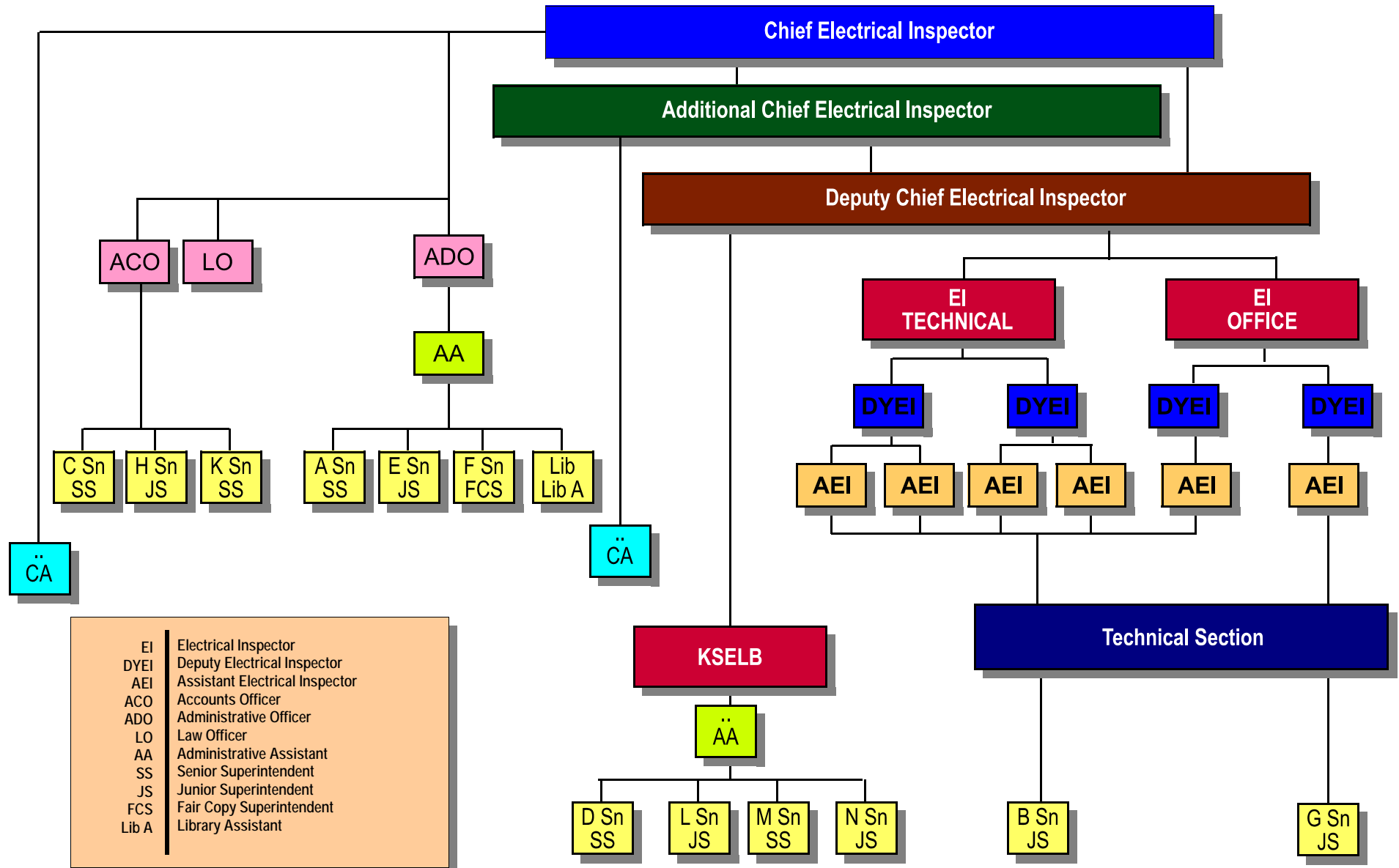


## Typical District Office / Meter Testing Standards Laboratory

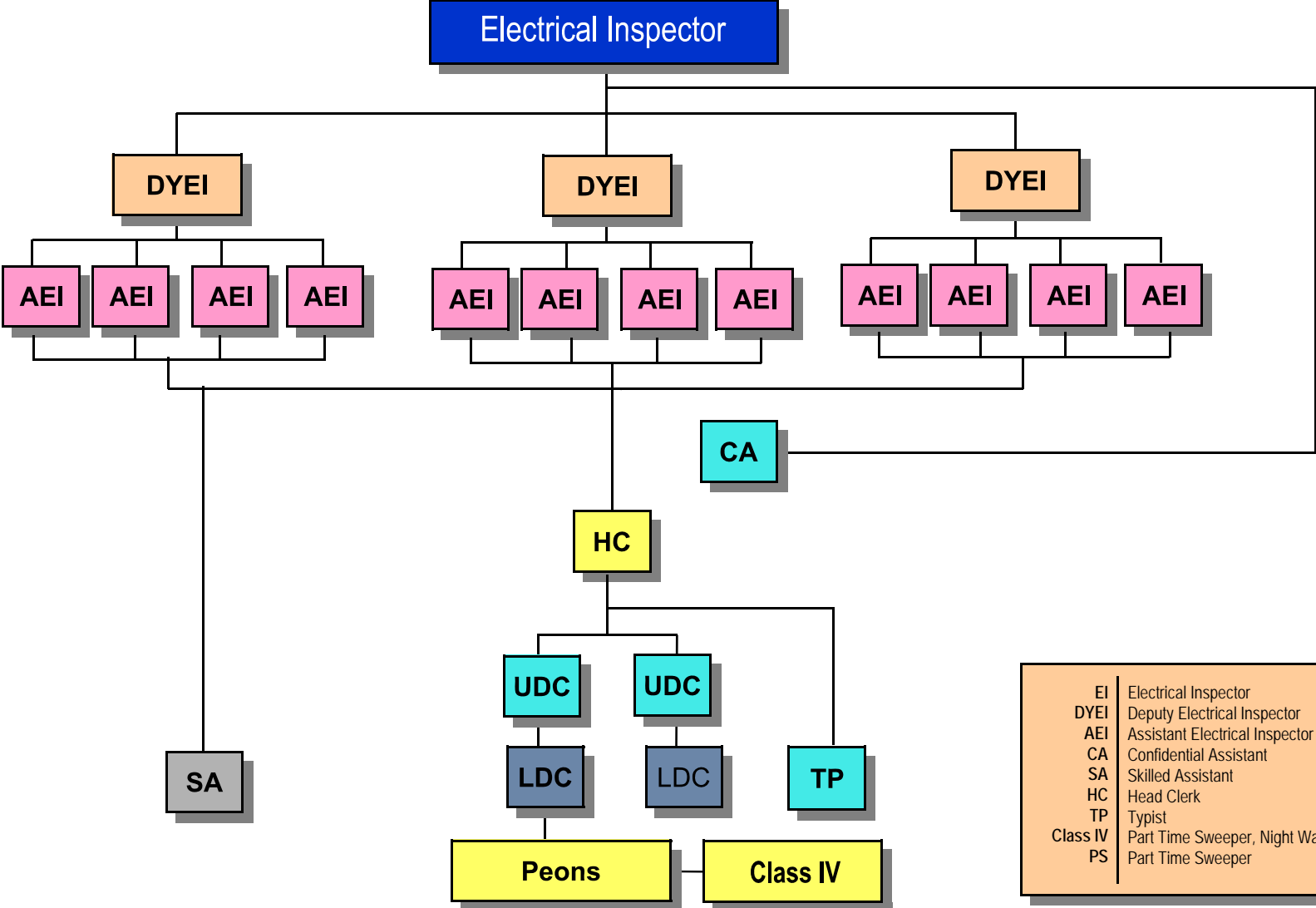


\* District office, Ernakulam is headed by Deputy Chief Electrical Inspector  
 \*\* Establishment of District office, Ernakulam is headed by Senior Superintendent  
 \*\*\* Testing Laboratories only in Thiruvananthapuram, Kollam, Kottayam, Ernakulam, Thrissur, Palakkad, Kozhikode, Malappuram and Kannur

# Organisation Chart of Office of the Chief Electrical Inspector



# Organisation Chart of District Level Office of Electrical Inspectorate



EI	Electrical Inspector
DYEI	Deputy Electrical Inspector
AEI	Assistant Electrical Inspector
CA	Confidential Assistant
SA	Skilled Assistant
HC	Head Clerk
TP	Typist
Class IV	Part Time Sweeper, Night Wacher
PS	Part Time Sweeper